

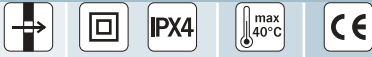
# @-style pro

ventilation 13

**E-STYLE PRO** is the result of a **highly advanced aeraulic design** which guarantees **very low noise level** and **high performance**.

The series, available with luxury style front covers, is the ideal solution in those environments where **aesthetics**, **harmony** and **technology** are requested.





# @-style pro



- Suitable for toilets, bathrooms, shower-rooms, utility rooms, kitchens and premises where a splashproof protection is requested (bathrooms zone 2).
- For wall, panel and ceiling installation to exhaust air directly to the outside or into a short length ducting (max 3 m length).
- **Complete range** available in sizes **ø 90-100-120-150** to allow installation on all ducting type and size.
- All models with neon running light.
- Supplied with back draught shutter on models 100 - 120 - 150.
- Easy installation and maintenance. Front cover fitted with a clip on model 100 (others fitted with a screw, supplied).
- Manufactured in shock-proof high quality technopolymer.
- Induction motor with overheating protection 230V-50Hz.
- Fans comply with EN 60335-2-80, EC Low Voltage Directive 73/23 – 93/68 and EC Directive EMC 89/336.

## STYLE

- **Ultra-slim stylish profile (17 mm)** to provide an unobtrusive installation.
- **7 Exclusive paintings** front covers (also available as accessories).

## TECHNOLOGY & PERFORMANCE

- Highly advanced aeraulic design with **new impellers and motors** to guarantee the **best performances when fan is installed.**

## SILENCE & LONG-LIFE

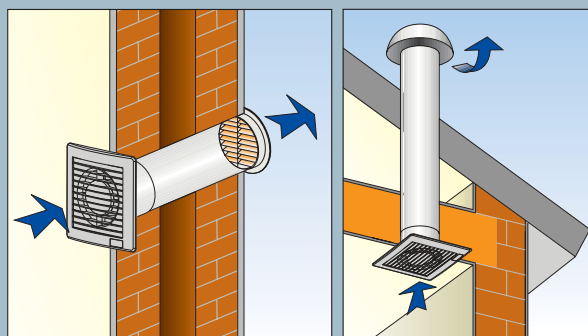
- Innovative impellers that permit **very limited noise level.**
- Maintenance-free, **self lubricating sleeve bearing motor** for long life and noiseless operation.

## Exclusive paintings \*



## AXIAL SLIM STYLE FANS

## APPLICATIONS



**WALL** **CEILING**  
Wiring can be surfaced or recessed.

## Versions

- [-] Timer - Comfortimer **NEW**
- [•] **MHT** humidity control
- [•] **MHY** smart humidity control **PATENT PENDING**
- [•] 2 speed
- [•] P.I.R

## Options

- Ball bearing motor
- Exclusive paintings front covers

\* Made to special orders only. Minimum quantities apply.

## ■ E-STYLE PRO: GUARANTEED PERFORMANCES WHEN FAN IS INSTALLED

The installation of a fan creates a performance loss due to:

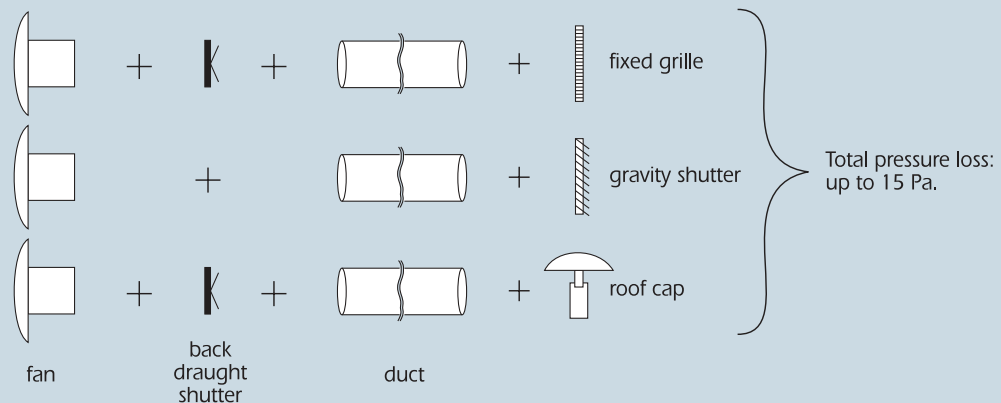
- the duct length (negligible loss up to 3/4 m duct length)
- the use of external shutters (fixed, gravity, with net...)

The use of an external grille can reduce the performances of an axial fan up to 60%.

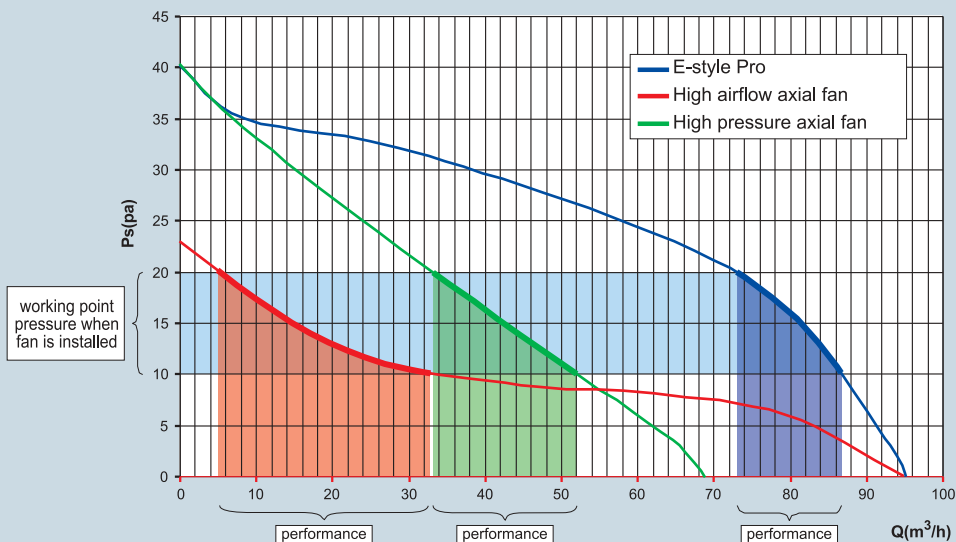
The new E-STYLE PRO assembles impellers especially designed to generate a high performance/pressure ratio, able to guarantee a high performance even when the fan is installed.

The following example shows the comparative performances of e-style pro and common axial fans when the fan is installed.

### TYPICAL INSTALLATIONS



### TYPICAL AXIAL FANS CURVES ø 100

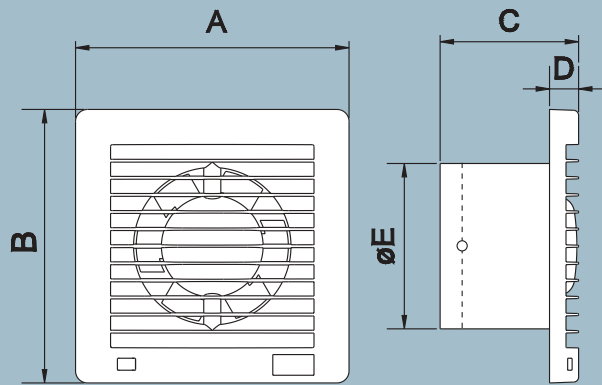


### SPECIFICATION

model	m <sup>3</sup> /h	L/s	Pa	W	dB(A) @ 3 m	protection	marked
E-STYLE 90 PRO	80	22	23	10	30,1	IPX4	CE
E-STYLE 100 PRO	95	26	40	14	31,4	IPX4	CE
E-STYLE 120 PRO	165	46	54	15	36,7	IPX4	CE
E-STYLE 150 PRO	295	82	71	25	43,9	IPX4	CE

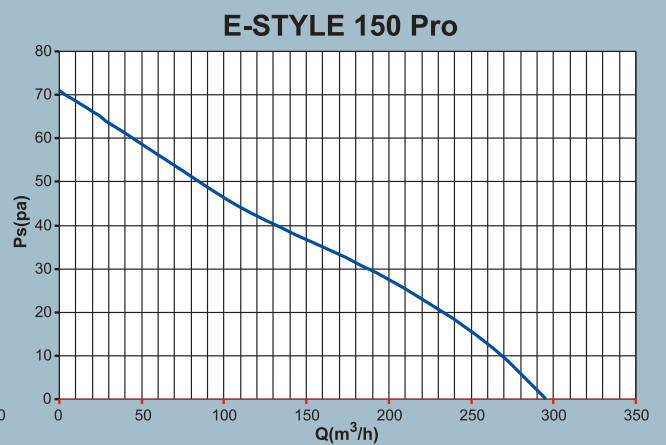
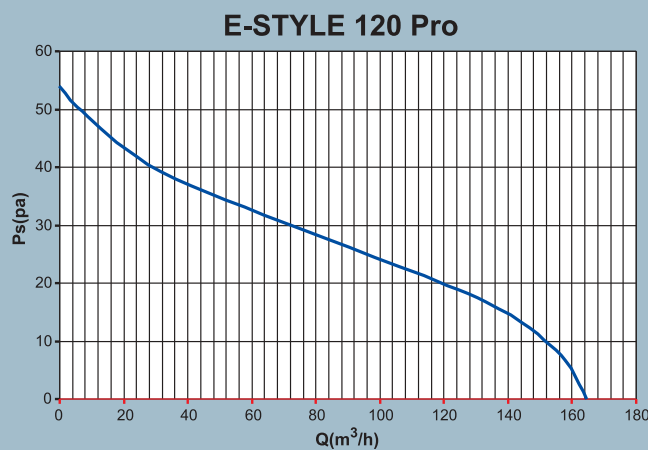
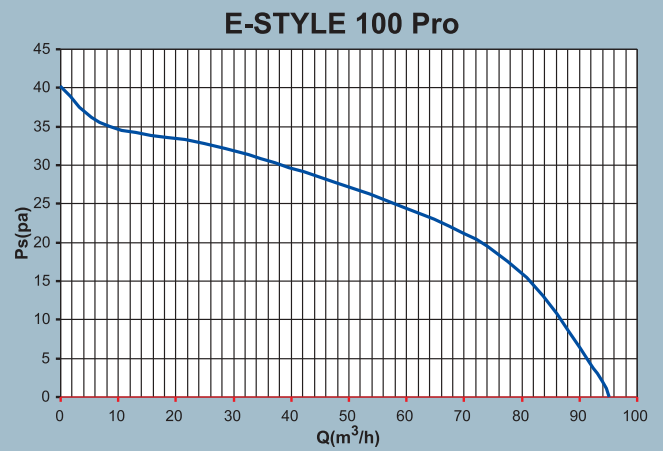
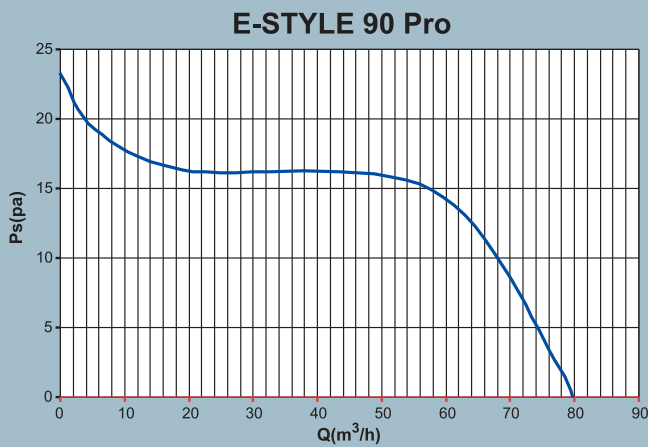
\* Lp(A) at 3 m

**DIMENSIONS (mm)**



Model	A	B	C	D	E ø	Kg.
E-STYLE 90 PRO	160	160	81	17	92,5	0,42
E-STYLE 100 PRO	160	160	95	17	98,2	0,45
E-STYLE 120 PRO	180	180	101	18	119	0,66
E-STYLE 150 PRO	200	200	119	22	149	1,04

**CURVES**



Accessories and controllers: see pages 63/69