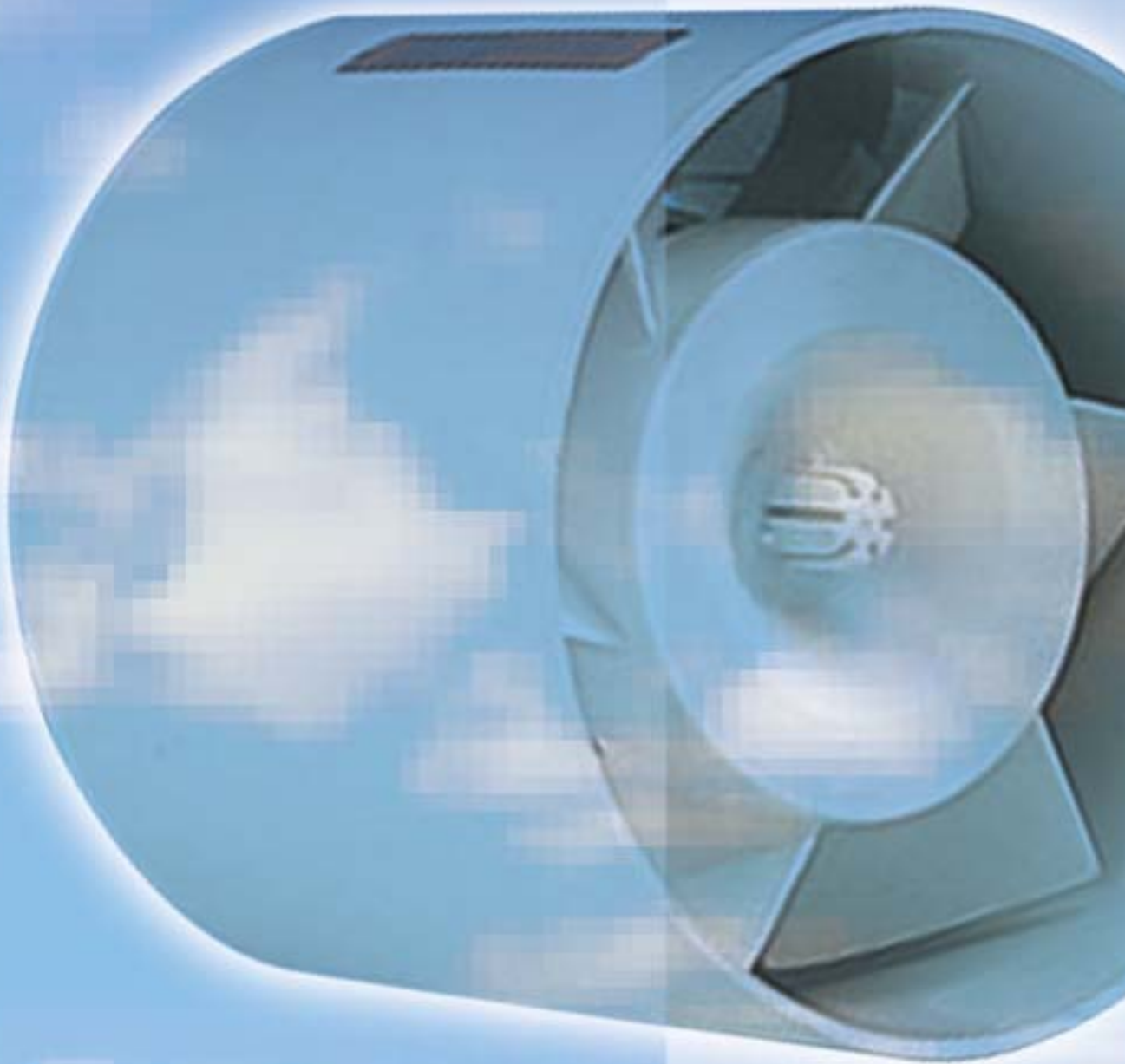


TUBO

ventilation **39**

TUBO in-line axial range for duct installation is the ideal solution for a perfect **aesthetic** and **acoustic comfort**.





TUBO



IN-LINE AXIAL FANS

- To exhaust air directly to the outside or into a short length ducting (shorter than 1,5 m and without curves).
- For moving small and medium air volumes against low static resistance.
- For ventilating domestic premises, cooling or drying appliances.
- Can be used with flexible or rigid ducting.
- For installation at the upper part of the wall for moving warm air into adjacent rooms.
- Available sizes: Ø 100, Ø 120, Ø 150.
- Manufactured in epoxy finished steel or in shock-proof high quality technopolymer.
- Maintenance free, self lubricating sleeve bearing motor for long life and noiseless running.
- Induction motor with overheating protection 230V – 50 Hz.
- Fans comply with EN 60335-2-80, EC Low Voltage Directive 73/23 - 93/68 and EC Directive EMC 89/336.

SPECIFICATION

| model | m ³ /h | l/s | Pa | W | dB(A) @ 3m | protection | marked |
|----------------|-------------------|-----|----|----|------------|------------|--------|
| TUBO 100 metal | 80 | 22 | 27 | 14 | 38 | IPX2 | CE |
| TUBO 120 metal | 150 | 42 | 35 | 18 | 44 | IPX2 | CE |
| TUBO 150 metal | 300 | 83 | 75 | 50 | 51 | IPX2 | CE |
| TUBO 100 TP | 90 | 25 | 25 | 14 | 38 | IPX2 | CE |
| TUBO 120 TP | 180 | 50 | 36 | 18 | 44 | IPX2 | CE |
| TUBO 150 TP | 320 | 89 | 69 | 41 | 51 | IPX2 | CE |

Versions



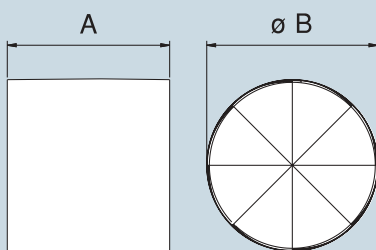
Timer - Comfortimer (on TP models)



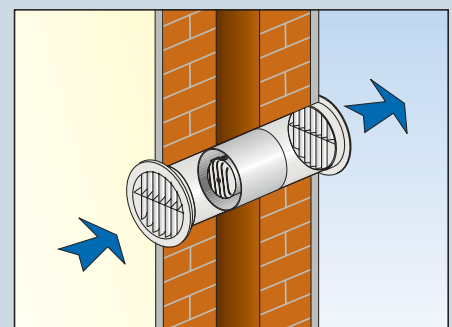
- TUBO WALL KIT: including TUBO 100 TP, internal and external grille and 60 cm length flexible ducting

APPLICATIONS

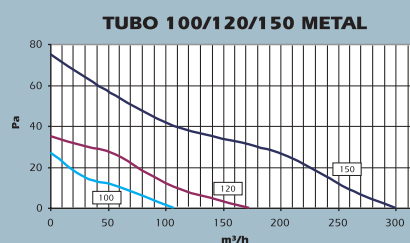
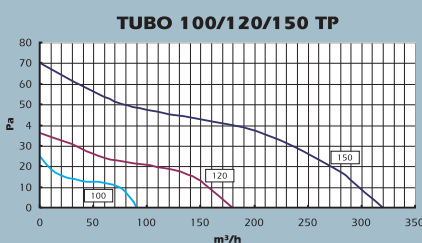
DIMENSIONS (mm)



| model | A | Ø B | Kg. |
|----------------|-----|-----|-----|
| TUBO 100 metal | 100 | 100 | 0,6 |
| TUBO 120 metal | 100 | 119 | 0,8 |
| TUBO 150 metal | 125 | 150 | 1,2 |
| TUBO 100 TP | 92 | 97 | 0,4 |
| TUBO 120 TP | 97 | 119 | 0,6 |
| TUBO 150 TP | 125 | 151 | 0,8 |



CURVES



Accessories and controllers: see pages 63/69

